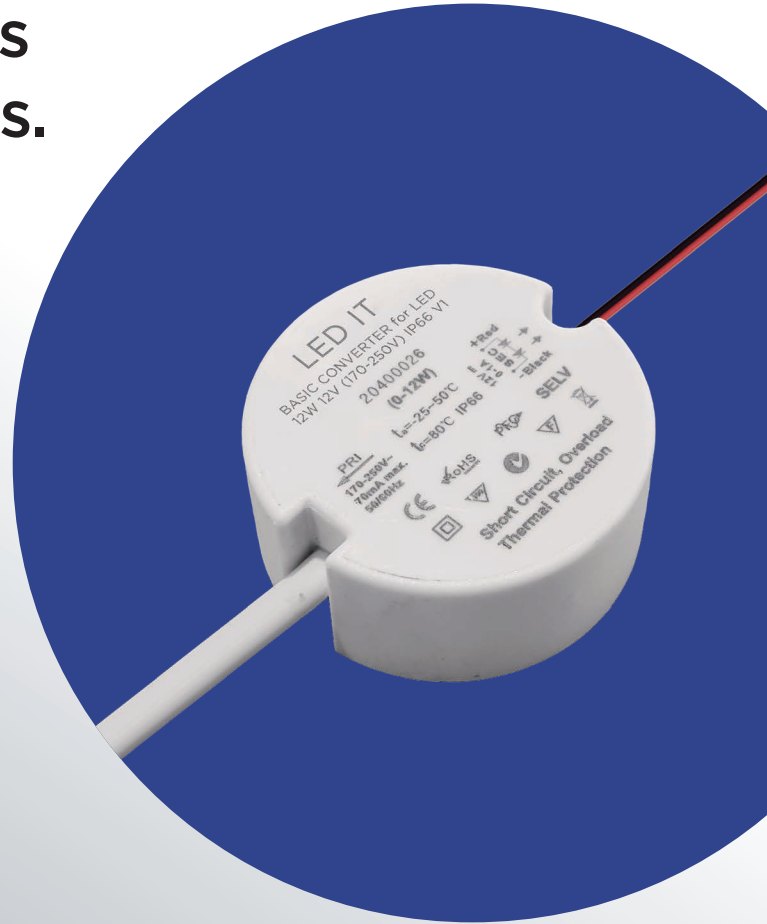


# Basic Converter

POWER SUPPLY - Outdoor voltage ——— 12W ———

Mini IP66 power supplies  
for 12V and 24V voltages.



**3 YEARS**  
**20.000hrs**  
**IP66**

- Universal input voltage

# Basic Converter

## POWER SUPPLY - Outdoor Voltage

### 12W



Basic converter

**3** YEARS  
20.000hrs  
IP66



IP66



170-250 V



-20/+50°C

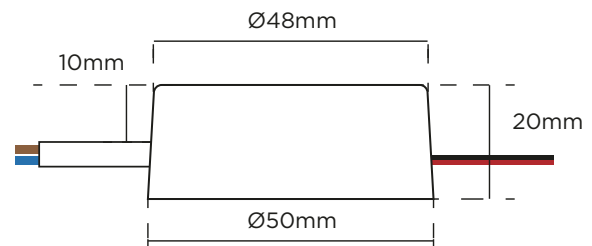
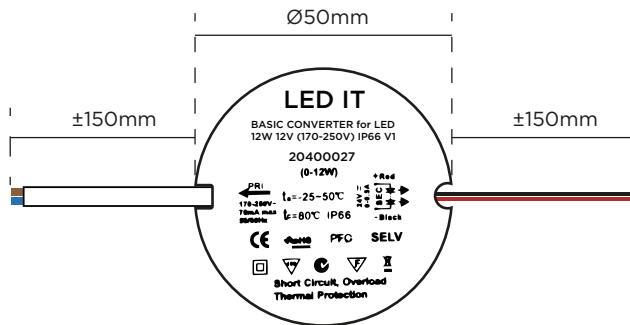


NO NEED

## TECHNICAL DATA

Code	Designation	Puissance/mod (W)	Output Voltage/mod (V/DC)	Net weight (kg/lb)
20400026	BASIC CONVERTER for LED 12W 12V (170-250V) IP66	12	12	14,2 / 31,3
20400027	BASIC CONVERTER for LED 12W 24V (170-250V) IP66	12	24	14,2 / 31,3

## DIMENSIONS



## INGRESS PROTECTION IP66

This product is designed to be used Indoors or Outdoors.

The specified environmental protection of the LED module enclosure means that:

It is totally protected against the ingress of dust, and protected against powerful water jets (100 liters per minute) projected by a nozzle against enclosure from any direction.

Make sure that the application (sign, box, etc.) where the LED modules are installed into, has proper drain holes for water to exit so that LED modules and any other electronic components are not submerged exceeding the IP66 certification limits.

## NORMS & CERTIFICATES

- ▶ EN55015:2013+A1:2015
- ▶ EN61547:2009
- ▶ EN61000-3-2:2014
- ▶ EN61000-3-3:2013
- ▶ EN 61347-1:2015
- ▶ EN 61347-2-13:2014



## THERMAL BEHAVIOUR

The temperature limits indicated below are expressed in °C, at full load, after 3h of operation conditions, with natural convection:

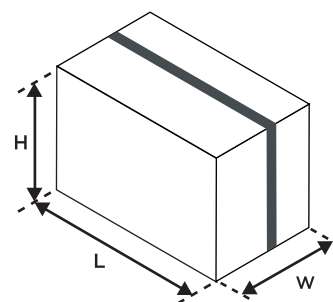
- ▶ Operation temperature Ta -20°C to +50°C
- ▶ Storage temperature Ts -40°C to +85°C

The life of the module will decrease when the maximum temperature limits are exceeded.

Operating for a continuous extended time at temperatures exceeding the maximum limits, the modules can fail and our warranty will be void.

## PACKAGING

Type	Size L x W x H (cm)	Size L x W x H (ft)	Weight (kg)	Weight (lb)	Units (pcs)
Basic converter	44 x 29 x 23	1,4 x 1 x 0,8	15,6	34,4	200



(When the min and max values are not indicated, the tolerance range for optical and electrical data is ±15 %.)