



Portable Fabric Lightbox System

(Easy Assembling)

1 Metre wide x 2 metre tall lightbox system in a neat carry case.

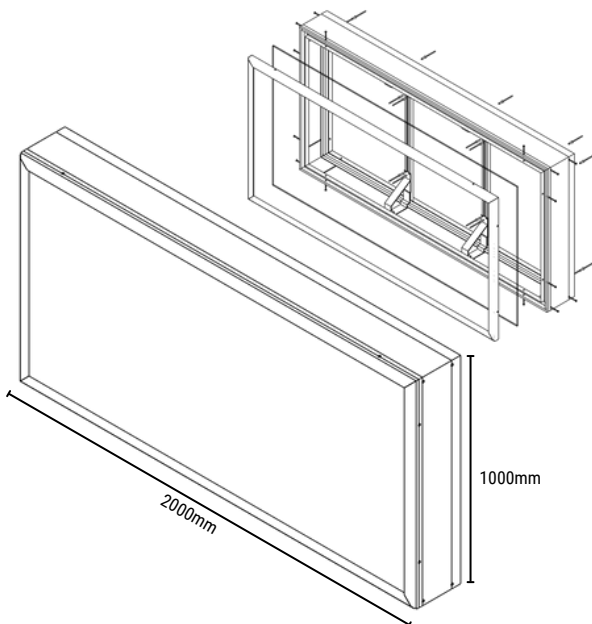
Double sided Lightbox

Assembled in 2 minutes. This portable Lightbox system for Silicone edge gasket backlit prints is ideal for trade shows or show rooms.

Use alone or combine units to create a wall effect.

Portable Fabric Lightbox System

It consists of a collapsible frame, fabric panels, and built-in LED lighting to evenly illuminate the lightbox from all sides. These lightboxes are commonly used for product advertisement, The edge lighting LED system ensures bright and uniform light across your print to create an eye catching quality look.



Profile Material	Anodized Aluminium Extrusion
Cover	Milky
Lenght	2 Metre x 1 Metre
IP Rating	IP20, IP65, IP67 and IP68
Mounting	Metal Mounting Clips
Light Colour	White,
Warranty	2 years
Working Temperature	-40°C to 70°C
Certification	CE & RoHS